

# Water Wiggler with Sound Model 6WW

- Do not immerse plastic battery/motor compartment in water.
- Do not allow unit to tip over in birdbath.
- Do not use without metal legs installed.
- Do not allow material such as algae, twigs, or leaves to become attached to the stirrer. Such attachments will shorten battery life significantly.
- Always keep water level at least 1/4" below the plastic base.
- If battery/motor compartment does become wet:
  1. Open unit and remove batteries. Dry batteries with a towel.
  2. Dry battery compartment and motor using hair dryer.
- Change batteries when unit no longer creates waves. This will be approximately 1 month.
- This unit will not de-ice water. In winter months you should use an Allied Precision Heated Birdbath along with the Water Wiggler. See your dealer for a complete selection.
- Do not attempt to forcibly remove unit if trapped in frozen water. Should the Water Wiggler become frozen in place, move your birdbath to a location where the temperature is above 32°F and allow water to thaw. Failure to do so may result in damage to components.

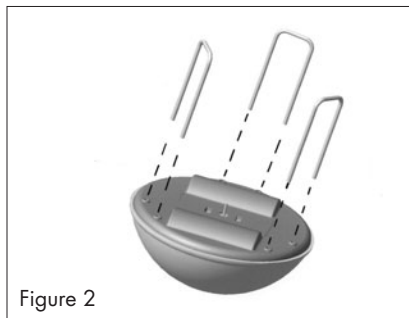


Figure 2



Figure 3



**ALLIED PRECISION INDUSTRIES, INC.**

705 East North Street • Elburn, Illinois 60119

## Directions

1. Remove the assembly parts from the plastic bag and insert the three “U” shaped legs into the base of the unit (figure 2).
2. Attach the stirrer to the motor by pressing the center hole of the stirrer crossbar onto the motor shaft extending from the center of the base (figure 3).
3. Set the unit upright on its legs and remove the dome by unscrewing the screw on the top of the dome (figure 4).
4. Insert two “D” cell batteries. The positive end of the batteries should point in opposite directions when the batteries are correctly installed. The stirrer will begin turning and the sound will turn on. The unit should operate approximately 1 month on two batteries (figure 5).
5. Reposition the dome on top of the base—making sure that the gasket is in place—and insert the screw and tighten until the dome is attached snugly to the base. **DO NOT OVERTIGHTEN THE SCREW.**

Important: The bottom of the Water Wiggler should remain at least  $\frac{1}{4}$  inch above the water at all times. During a heavy rain, the birdbath may completely fill with water. To avoid flooding the unit, place the unit in the deepest part of the bath and then place a straightedge across the rim of the bath. The bottom of the Water Wiggler should be at least  $\frac{1}{4}$  inch above the bottom of the straightedge (figure 6). If it is not, raise the unit by placing a stable and level support under the Water Wiggler.

6. The sound volume may be adjusted by sliding the small pin located at the speaker holes on the underside of the unit. The volume will be louder when the unit is placed in the birdbath since the sound reflects off the water surface. **Sound may be turned on and off by pressing the On/Off switch (figure 7).**

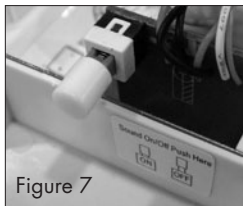


Figure 7

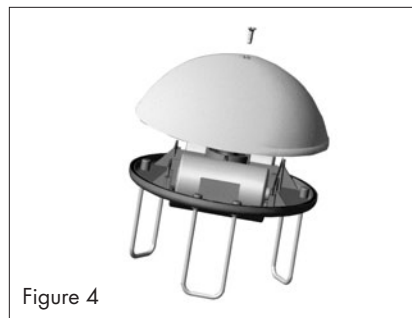


Figure 4

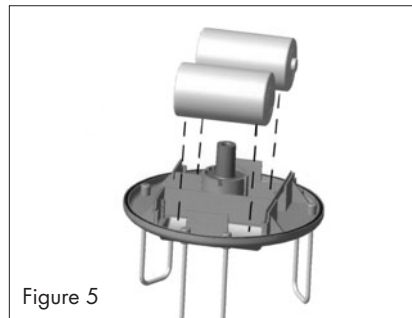


Figure 5

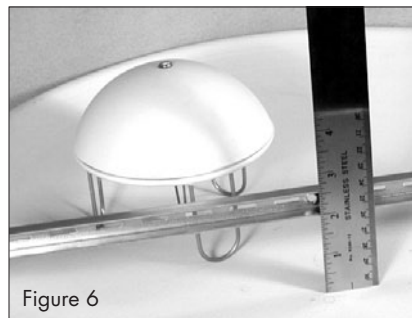


Figure 6