

Model #500 BIRD BATH pat. pend.

ALLIED PRECISION INDUSTRIES, INC.
705 E. NORTH STREET
ELBURN, IL 60119

GENERAL INFORMATION

This Bird Bath is designed to clamp to deck railings or pedestals. The Bird Bath may also be placed on any flat surface.

Once the mount is in place, you can simply spin the bath on and off the mount for routine cleaning. You do not have to reapply the mount every time you wish to clean your bird bath.

If your pedestal has a protrusion or "nub" on top:

The Bird Bath will not clamp to a pedestal which has a screw protruding from the top (unless the screw is removable). If your pedestal has some other protrusion on top, try connecting the bracket to the protrusion following the same directions as listed under the section titled *Bird Bath pedestal 7.25" or less* (follow the directions as if the protrusion is the diameter of your pedestal).

Three Year Warranty

Mounting your Bird Bath:

First, decide on what surface you will be mounting the bath. **Second**, measure the width of the surface – if a deck rail, or measure the diameter – if the surface will be a pedestal or stand. **Third**, look under the appropriate heading in this manual and follow the directions.

Your bracket is attached to the bottom of the bird bath. To remove, simply spin the bracket counterclockwise. Also contained is a bag of loose parts.

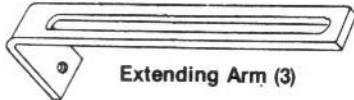






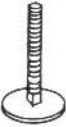



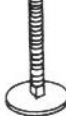


You will note the bracket, found under the bath, is preassembled to fit a pedestal 7.25" or less. However, if your pedestal falls within this range, you must still adjust the bracket to fit your particular pedestal diameter.

If you are planning to use a mount under one of the other headings, you will want to disassemble this mount and use the parts to construct your chosen mount.

The manual starts off with drawings of all the parts included with the bracket. For assembly you will need a small screwdriver and an adjustable wrench.

If you have any questions contact the factory at 1-630-365-0340.

PARTS LIST

A  Extending Arm (3)	F  3/8" (short) Set Screw (3)	K  Washer (5)
B  Shim (3)	G  1 1/2" (long) Set Screw (3)	L  Hex Regular Nut (3)
C  Round Disc (1)	H  1.5" Elevator Bolt (1)	M  3" Carriage Bolt (2)
D  1" Elevator Bolt (1)	I  5/8" Machine Screw (3)	N  2" Elevator Bolt (1)
E  Hex Jam Nut (thin nut) (1)	J  Angle Bracket (1)	