

# Water Wiggler Model 4WW

- Never use without the two water seals in place:
  1. Large “O” ring around outer diameter of unit, located between plastic dome and plastic base.
  2. Small gasket between screw and plastic dome.
- Do not immerse plastic battery/motor compartment in water.
- Do not allow unit to tip over in bird bath.
- Do not use without metal legs installed.
- Do not allow material such as algae, twigs, or leaves to become attached to the agitator. Such attachments will shorten battery life significantly.
- Always keep water level at least 1/4” below the plastic base.
- If battery/motor compartment does become wet:
  1. Open unit and remove batteries. Dry batteries with a towel.
  2. Dry battery compartment and motor using hair dryer.
- Change batteries when unit no longer creates waves. This will be approximately 2 months.
- This unit will not de-ice water. In winter months you should use an Allied Precision Heated Bird Bath along with the Water Wiggler. See your dealer for a complete selection.
- Do not attempt to forcibly remove unit if trapped in frozen water. Should the Water Wiggler become frozen in place, move your bird bath to a location where the temperature is above 32°F and allow water to thaw. Failure to do so may result in damage to components.

## Directions

1. Remove the top (dome shape) from the base by disengaging screw in top of dome (figure 1). Be sure to save the small rubber gasket along with the screw. Remove the parts needed to complete the assembly of your unit from the plastic bag.
2. Insert the 3 “U” shaped wire supports into the base of the unit (figure 2).

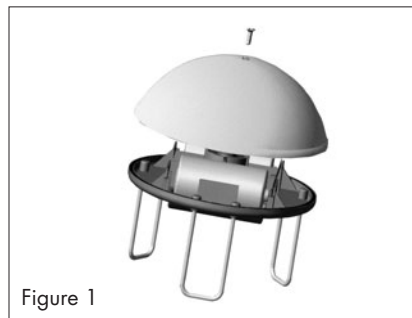


Figure 1

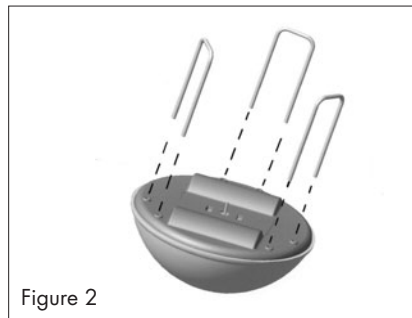


Figure 2

3. Attach the “stirring device” to the motor by pressing into place using the center hole in stirring device (figure 3).
4. Now insert the 2 “D” cell batteries (figure 4). The “stirring device” will begin turning once the batteries are inserted.
5. Close the unit by reinstalling screw on top of dome. Be sure gasket is between screw head and dome top.
6. **When the bird bath is filled completely with water (as will happen after a heavy rain) the highest water level must remain at least 1/4” below the plastic bottom of the Water Wiggler.**

Determine the depth of your bird bath. Empty the water in the bird bath and place the Water Wiggler in the deepest portion of bird bath (figure 5). Place a yardstick or other “straight-edge” device across the top rim of the birdbath. Remember: a heavy rain will completely fill your birdbath.

- A. If the maximum high-water level (simulated by the straight-edge placed across the bird bath) is more than 1/4” from the plastic bottom of the Water Wiggler, simply place the unit in the center of your bath and it is ready to operate.
- B. If the maximum high-water level (simulated by the straight-edge placed across the bird bath) is less than 1/4” from the plastic bottom of the Water Wiggler, then you must raise the unit by placing a stable and level support under the Water Wiggler. Be sure the unit is secure and will not fall off of this raised support.



Figure 3

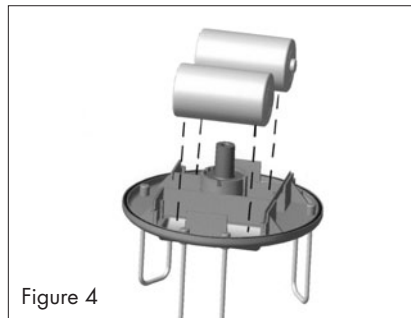


Figure 4

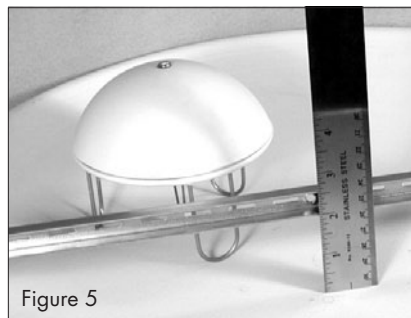


Figure 5

**ALLIED PRECISION INDUSTRIES, INC.**

705 East North Street • Elburn, Illinois 60119



Illustrations may not  
exactly match your unit.